



Solida & Solida Acoustic

RIGID LUXURY VINYL TILES



Content

T A B L E

#01	Intro p. 4	#05	The perfect finish p. 12
#02	Why choose Solida & Solida Acoustic p. 6	#06	Looks p. 14
#03	How is this quality rigid flooring made? p. 8	#07	Floors better for today, in every way p. 32
#04	Installation p. 10	#08	Technical specifications p. 34



Intro

#01

SOLIDA & SOLIDA ACOUSTIC

Rigid Luxury Vinyl Tiles (Rigid LVT) are perfect for homes wanting a beautiful, natural looking floor that's easy to install, durable and simple to look after. Thanks to a dense and solid core, they can even be installed over uneven subfloors and with the speed of a Uniclic® joint, they're a great choice for renovation. Take advantage of an optional integrated pad that also reduces noise, and installation is even simpler. With all the advantages that make vinyl floors so easy to enjoy, Rigid LVT is perfect for today's busy family homes.

Our Belgian design team has made sure that Solida & Solida Acoustic bring all the benefits of Rigid LVT in collections that have a floor to match your style. With authentic wood, stone and concrete effects designed in-house, Solida & Solida Acoustic present classic and contemporary looks that are as unique as you are.

“

Charming natural designs combined with the strength and easy installation of a quality floor.

”



ITALIENS
HJERTE



Why choose Solida & Solida Acoustic?

BENEFITS OF SOLIDA & SOLIDA ACOUSTIC

Quick and straightforward to install, durable in use and wonderfully simple to maintain, Solida & Solida Acoustic are stylish floors that are easy to enjoy.

The worry-free benefits of vinyl

Solida & Solida Acoustic have all the practical advantages you could want from a floor. Water, stain and scratch resistant, easy to clean and 100% recyclable, it's truly worry-free flooring.



Renovation friendly

With a rigid and dense core that stops unevenness and the proven Uniclic® joint, Solida's compact 4-layer construction is ideal for renovation. Thanks to its integrated pad, Solida Acoustic is even easier to install.



Naturally inspiring design

Designed completely in-house in Belgium, Solida & Solida Acoustic's wood, stone and concrete looks are exquisitely recreated in every detail. With a textured surface, matt top layer, and a large variety of planks or tiles in every design you're granted a more authentic look.



Reliable quality and strength

Tested to the world's most stringent standards and endorsed by IVC Group, you can trust the quality of Solida & Solida Acoustic. With a strong and dense core and hardwearing 0.30 mm wear finish, this is a floor that won't let you down.



#03

How is this quality rigid flooring made?


PRODUCT BUILD-UP OF SOLIDA & SOLIDA ACOUSTIC

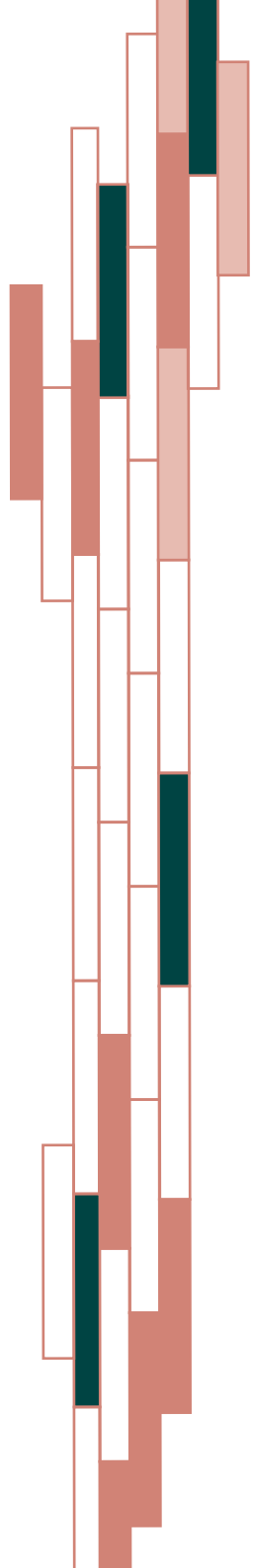
Solida & Solida Acoustic use the latest innovation in compact flooring construction to provide a beautiful and strong floor that delivers on every front. At the heart of Solida & Solida Acoustic is the rigid core that ensures excellent stability and easy installation. Combined with a high-quality protective lacquer and an integrated pad on Solida Acoustic, it's a construction that provides great performance.

Let's look at Solida & Solida Acoustic's multi-layer construction in a little more detail:



GLOSSARY

-  Design
-  Strength
-  Acoustic
-  Scratch & stain
-  Moisture protection
-  Dimensional stability



1 Protective Superguard®



The protection of a PU lacquer that doesn't wash-off means that Solida & Solida Acoustic are scratch and stain-resistant. Standing up to drops, spills, paws and more, this matt layer enhances daily usability.

2 Reliable wear layer



The 0.30 mm wear layer found on all Solida & Solida Acoustic floors provides resistance to wear for a surface that's made to last in the busiest of family homes. In fact, Solida & Solida Acoustic achieve the highest wear class possible for residential use. A textured finish helps Solida & Solida Acoustic to feel as good as it looks.

3 High definition original design



Solida & Solida Acoustic enjoy unique and original wood, stone or concrete looks thanks to this high-definition design layer. Designed in-house in Belgium, the design has one of the largest patterns available on the market for more variety and an authentic looking floor.

4 Rigid core



The dense, rigid core of Solida brings many advantages. Preventing telegraphing – where the floor settles to imperfections beneath – it means that Solida & Solida Acoustic can be installed over a range of less than perfect subfloors. The core is also the reason for the class-leading dimensional stability. Keeping movement to the bare minimum, it makes sure Solida & Solida Acoustic stay locked to the ground, regardless of temperature. On top of that, the core lets you enjoy the speed and simplicity of Uniclic® installation, with its renowned locking strength and reliability.

5 Integrated pad

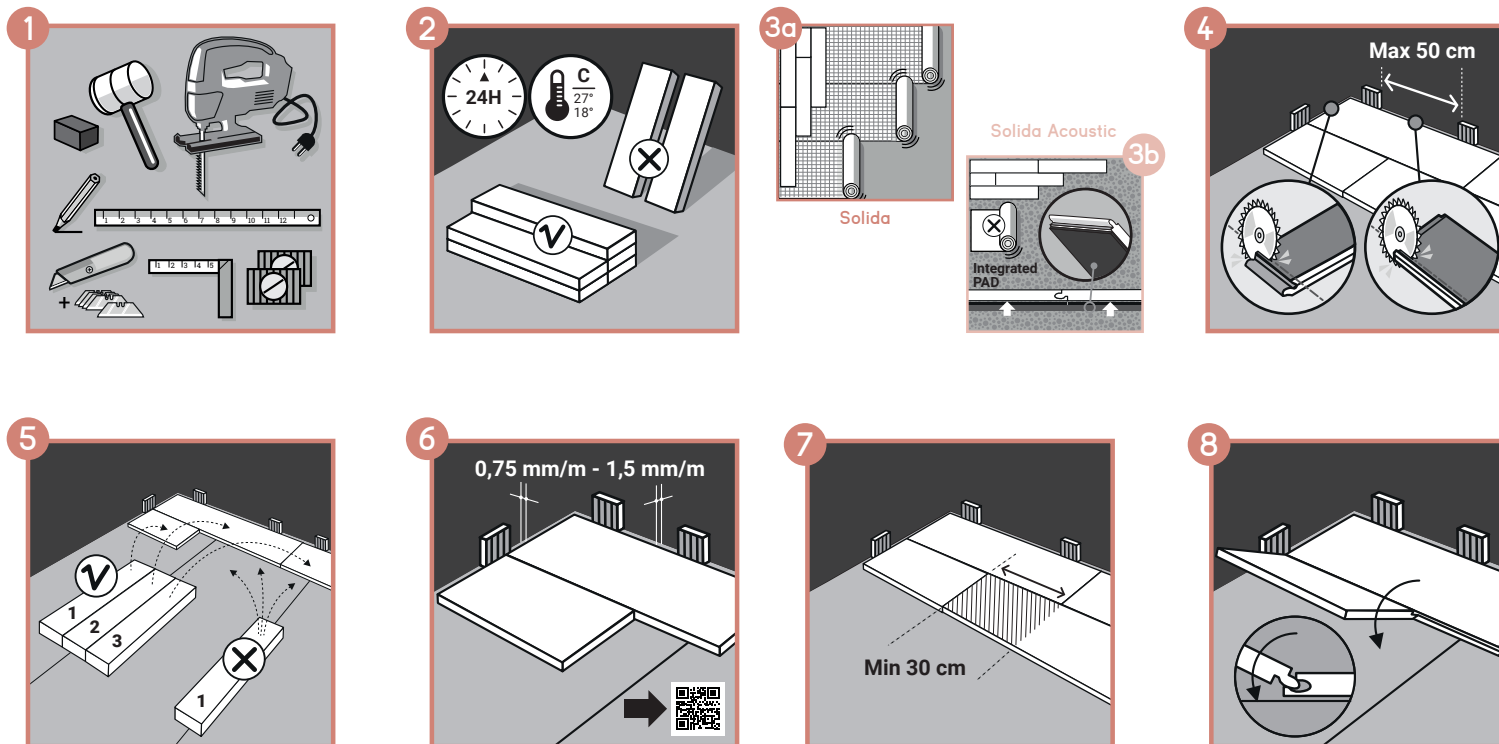


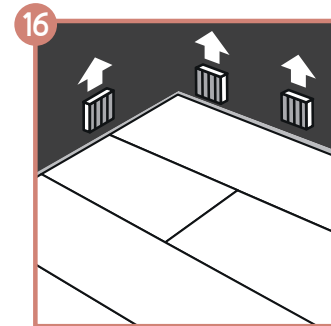
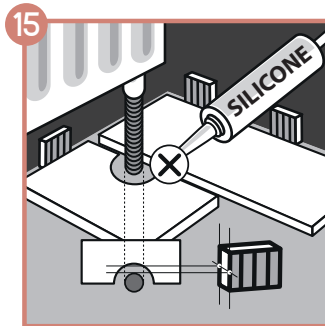
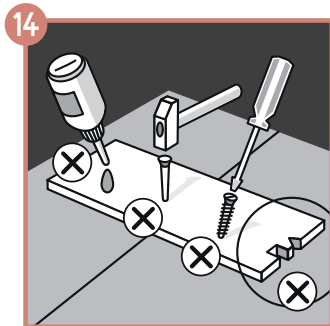
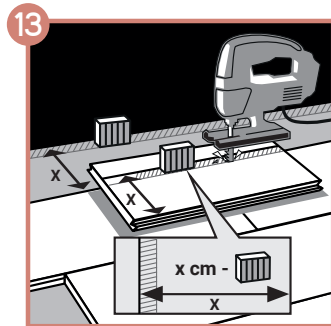
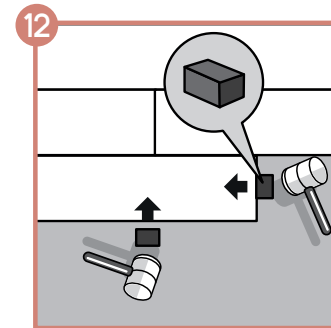
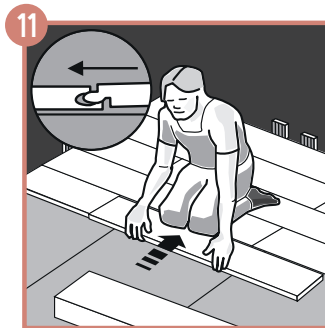
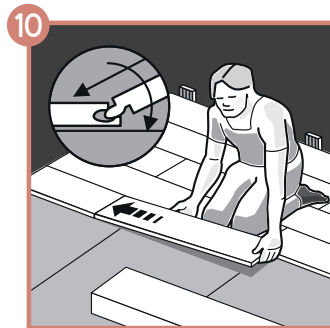
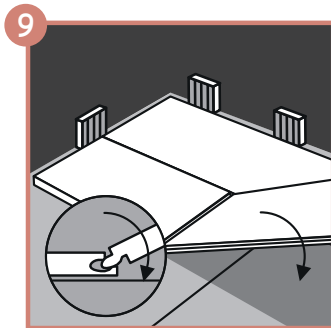
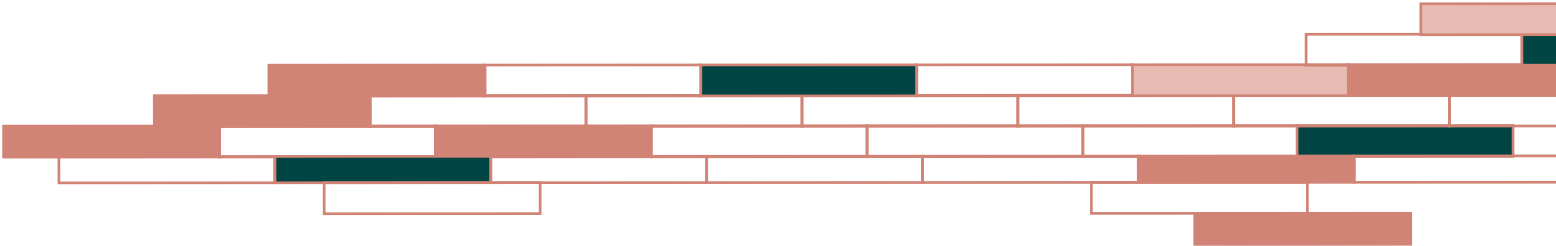
Available only on Solida Acoustic, this integrated pad helps with installation, eliminating the need for a separate underlay. Made from materials specifically selected for the perfect balance of strength and acoustics, the pad also ensures that distracting noise is reduced for a more comfortable atmosphere, not only for you but also for your downstairs neighbours.

Installation

WORRY-FREE RIGID CLICK SYSTEM

Solida & Solida Acoustic are remarkably easy to install. Available with or without integrated pad, you can choose the method that's best for you. Either way, Solida & Solida Acoustic's rigid core and reliable locking system assure a smooth installation for a lasting result.



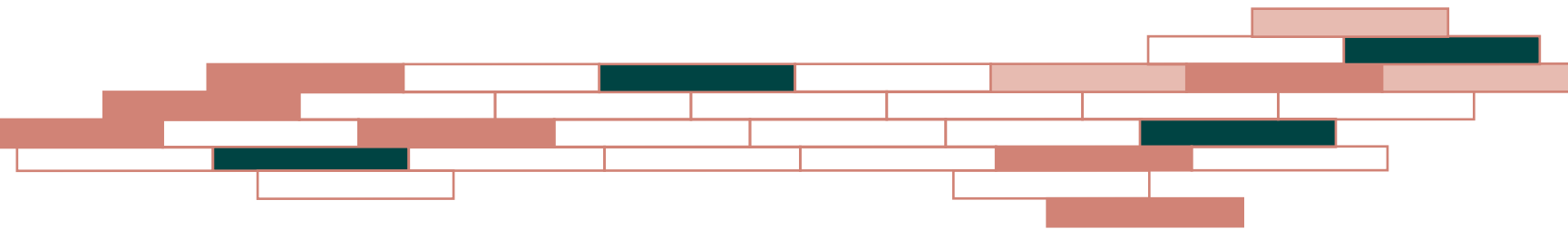


For detailed **Solida** installation instructions, please visit www.installandclean.com/en/lvtrigiduniclic



For detailed **Solida Acoustic** installation instructions, please visit www.installandclean.com/en/lvtrigidwithpaduniclic

#05



For the perfect finish, you need the perfect range of accessories. From skirtings and profiles to the most suitable underlay for Solida, we have everything you need, made to the same exacting standards as your Solida or Solida Acoustic floor.



For more info, please check www.xtrafloor.com



The perfect finish

#05

ACCESSORIES TO EASE YOUR MIND



1. Stair profiles



2. End profile



3. Expansion profile



4. Radiator cap



5. Paintable skirting



6. Underlay

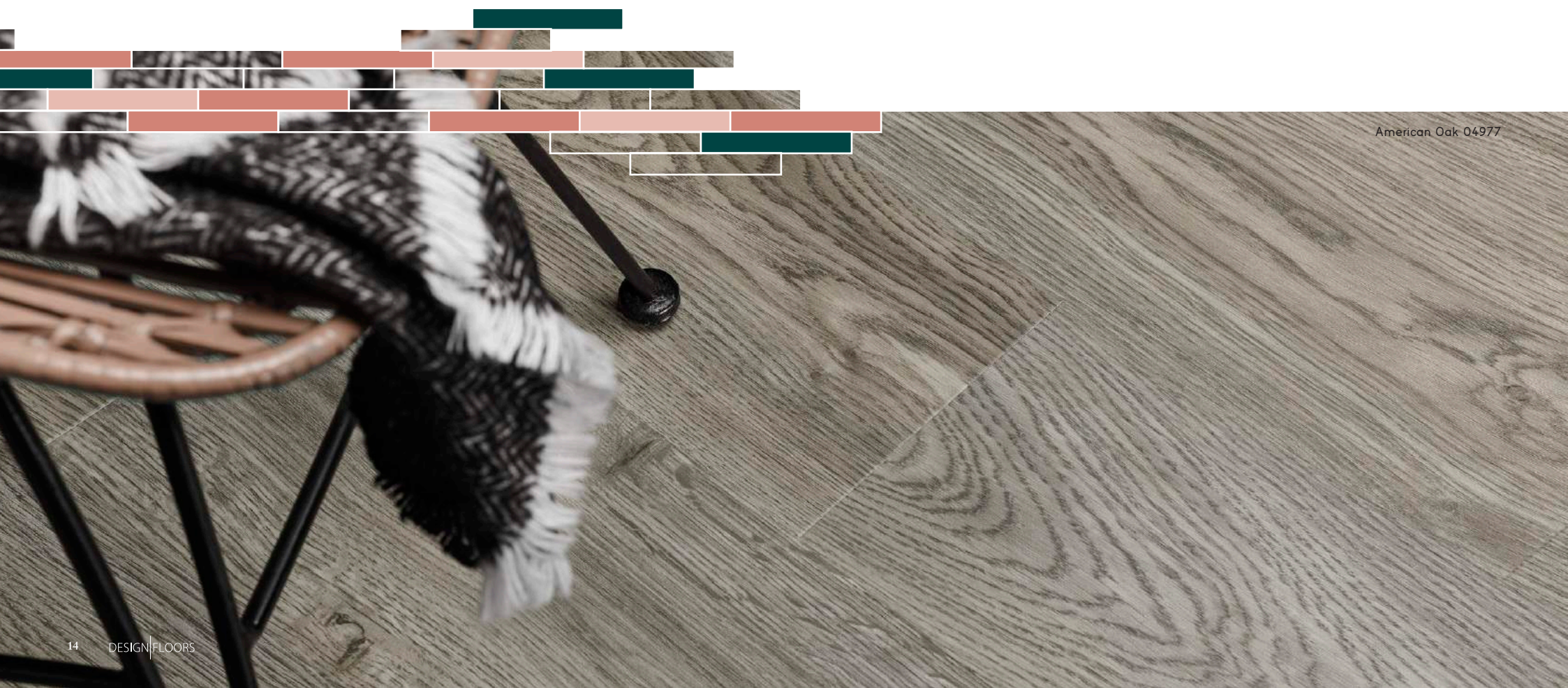
Not needed for Solida Acoustic

#06

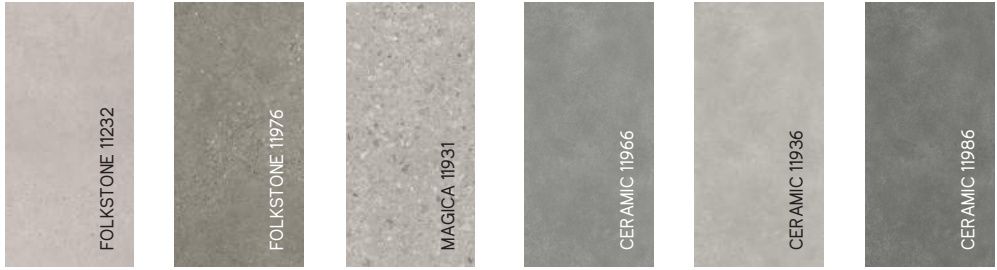
Looks

C L O S E R T O N A T U R E

Inspired by nature, Solida & Solida Acoustic contain wood, stone and concrete patterns in a colour palette suiting every interior style. Varying from a calm look to a more vivid pattern with knots, the woodlook patterns in this collection have a broad appeal. In the stonelooks we defined a neutral concrete as well as an elegant natural stonelook and a refined ceppolook, for an easy integration in all areas of the home. Designed in Belgium, Solida & Solida Acoustic are collections that truly capture the nuances of nature.



American Oak 04977





Traditional Oak



03826



03866



03935

Solida



Click Uniclic®
Available in:
17,8 x 121,9 cm



4 sided modest bevel



Thickness Solida
4 mm



Wear layer
0,3 mm

Solida Acoustic



Click Uniclic®
Available in:
17,8 x 121,9 cm



4 sided modest bevel



Thickness Solida Acoustic
5 mm (incl. integrated pad)



Wear layer
0,3 mm

#06

European Oak



04270



04870

Solida



Click Un clic®
Available in:
17,8 x 121,9 cm



4 sided modest bevel



Thickness Solida
4 mm



Wear layer
0,3 mm

Solida Acoustic



Click Un clic®
Available in:
17,8 x 121,9 cm



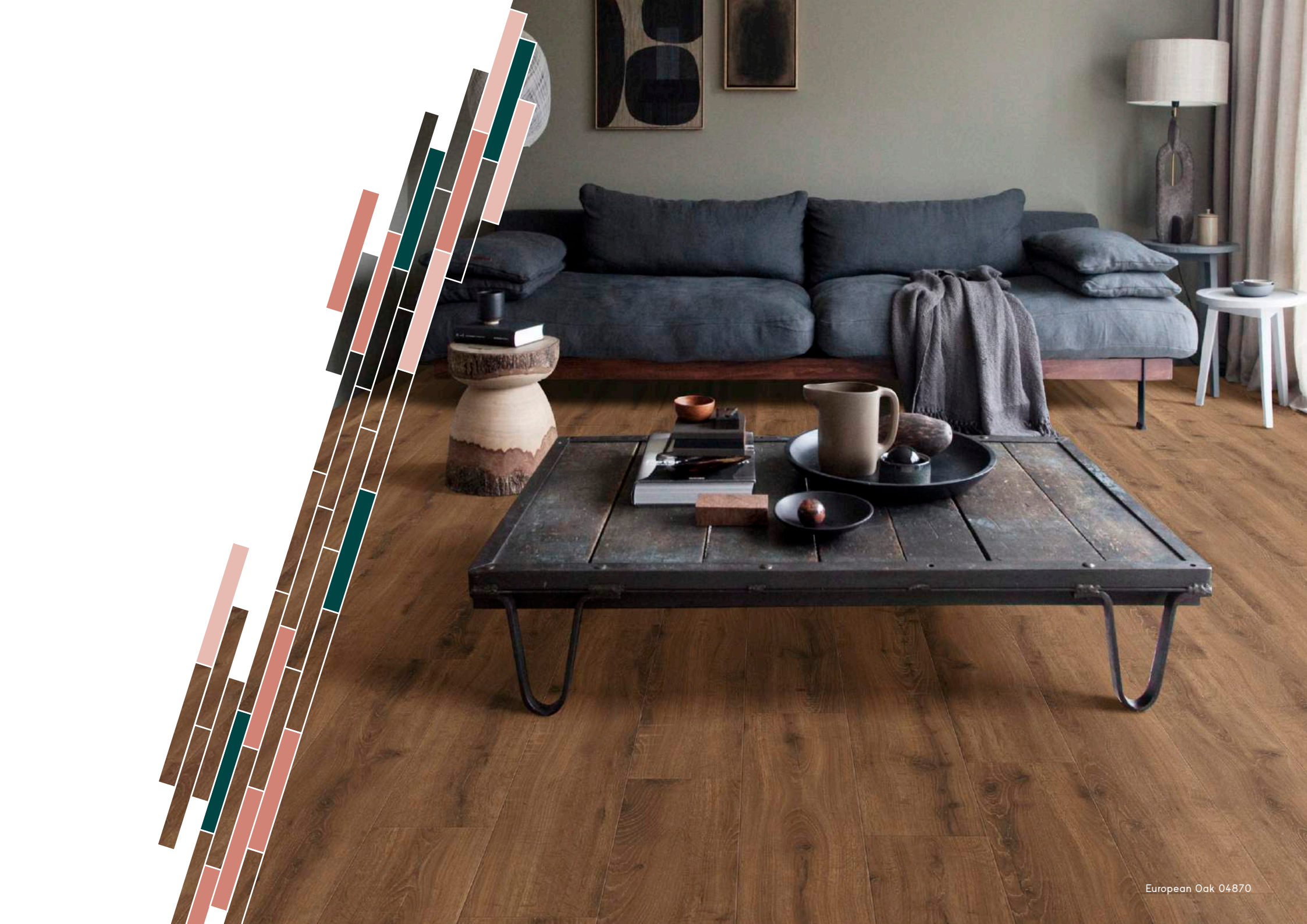
4 sided modest bevel



Thickness Solida Acoustic
5 mm (incl. integrated pad)



Wear layer
0,3 mm





Riviera Oak



03121



03220



03227



03239



03254



03884



03952

Solida



Click Uniclic®
Available in:
17,8 x 121,9 cm



4 sided modest bevel



Thickness Solida
4 mm



Wear layer
0,3 mm

Solida Acoustic



Click Uniclic®
Available in:
17,8 x 121,9 cm



4 sided modest bevel



Thickness Solida Acoustic
5 mm (incl. integrated pad)



Wear layer
0,3 mm

#06

Swedish Pine



04242

Solida



Click Uniclic®
Available in:
17,8 x 121,9 cm



4 sided modest bevel



Thickness Solida
4 mm



Wear layer
0,3 mm

Solida Acoustic



Click Uniclic®
Available in:
17,8 x 121,9 cm



4 sided modest bevel



Thickness Solida Acoustic
5 mm (incl. integrated pad)



Wear layer
0,3 mm





American Oak



04271



04870



04880



04977

Solida



Click Uniclic®
Available in:
17,8 x 121,9 cm



4 sided modest bevel



Thickness Solida
4 mm



Wear layer
0,3 mm

Solida Acoustic



Click Uniclic®
Available in:
17,8 x 121,9 cm



4 sided modest bevel



Thickness Solida Acoustic
5 mm (incl. integrated pad)



Wear layer
0,3 mm

#06

Ceramic



11936



11966



11986

Solida



Click Un clic®
Available in:
30,3 x 60,7 cm



4 sided modest bevel



Thickness Solida
4 mm



Wear layer
0,3 mm

Solida Acoustic



Click Un clic®
Available in:
30,3 x 60,7 cm



4 sided modest bevel



Thickness Solida Acoustic
5 mm (incl. integrated pad)



Wear layer
0,3 mm





Folkstone



11232



11976

Solida



Click Uniclic®
Available in:
30,3 x 60,7 cm



4 sided modest bevel



Thickness Solida
4 mm



Wear layer
0,3 mm

Solida Acoustic



Click Uniclic®
Available in:
30,3 x 60,7 cm



4 sided modest bevel



Thickness Solida Acoustic
5 mm (incl. integrated pad)



Wear layer
0,3 mm

#06

Magica



11931

Solida



Click Un clic®
Available in:
30,3 x 60,7 cm



4 sided modest bevel



Thickness Solida
4 mm



Wear layer
0,3 mm

Solida Acoustic



Click Un clic®
Available in:
30,3 x 60,7 cm



4 sided modest bevel



Thickness Solida Acoustic
5 mm (incl. integrated pad)



Wear layer
0,3 mm



#07 Floors better for today

IN EVERY WAY

IVC Group is a global player in the design and manufacture of flooring solutions including Luxury Vinyl Tiles (LVT), Sheet Vinyl & Carpet Tiles for use in public and private environments. Accountable for our actions, we design and make floors responsibly in Belgium, developing a circular approach to the future of flooring.

IVC Group is part of Mohawk Industries Inc., the world's largest flooring company. With 1,800 employees and 10 production sites in Europe and Russia, IVC Group has a capacity of 180,000,000 m² of flooring every year.

Did you know...

that IVC Group employs over 30 different nationalities worldwide? That's the many cultures and inspirations which go into our eclectic floor designs explaining their global appeal.





At IVC Group, we believe that innovation is the best way to create better floors for today's homes. Our Rigid LVT technology ensures that you benefit from a floor that's not only beautiful to look at, but also simple to install, long-lasting and easy to maintain.

We've submitted Solida & Solida Acoustic to a series of stringent external tests for the international standards ISO 10582 and EN 16511. By exposing Solida & Solida Acoustic to tests on quality, wear and strength; these new standards are a sign that we're committed to delivering you floors that are better for today, in every way.

Flooring Development Centre
in Waregem, Belgium

Technical specifications

OF SOLIDA & SOLIDA ACOUSTIC

PRODUCT INFORMATION		Solida	Solida Acoustic
Level of use	EN ISO 10874		23 - 31
Total thickness	EN ISO 24346	4 mm	5 mm (incl. integrated underlay)
Wear layer	EN ISO 24340		0.3 mm
Wear layer PUR treatment			Superguard®
Total weight g/m ²	EN ISO 23997	8160	8250

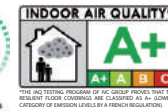
SIZE & PACKING		Solida	Solida Acoustic
Planks	EN ISO 24342		17.81 x 121.92 cm
Tiles	EN ISO 24342		30.31 x 60.72 cm
Box planks			2.61 m ² /box 12 pcs/box
Box tiles			2.58 m ² /box 14 pcs/box

TEST RESULTS		Solida	Solida Acoustic
Inflammability	EN 13501-1		Bfl-S1
Abrasion group	EN 660-2		Group T
Scratch resistance	EN 16094		≤ MSR-A2 ≤ MSR-B2
Slip resistance	EN 13893		DS
Slip restraint	DIN 51130		≥ R9
Residual indentation	EN 24343-1	≤ 0,10 mm	≤ 0,12 mm
Furniture leg resistance	EN ISO 16581		No visible damage
Impact resistance	EN 13329 Annex F		≥ 1800 mm
Curling	EN ISO 23999		≤ 1 mm
Dimensional stability	EN 23999	≤ 0.05%	≤ 0.10%
Thermal resistance R	EN 12667		0.008 m ² K/W
Acoustic insulation	EN ISO 717-2	NA	Δ Lw = 17 dB
Acoustic insulation + Xtrafloor Comfort	EN ISO 717-2	Δ Lw = 8 dB	NA
Castor chair resistance	EN ISO 4918		No damage to wearlayer, no delamination
Stain resistance	EN 438-2		Very good
Light fastness	EN 105-B02		≥ 6
Underfloor heating	EN 12524		Suitable, max 27°C
Maximum allowed ambient and surface temperature			45°C
Warranty (year)			12 Residential - 5 Commercial

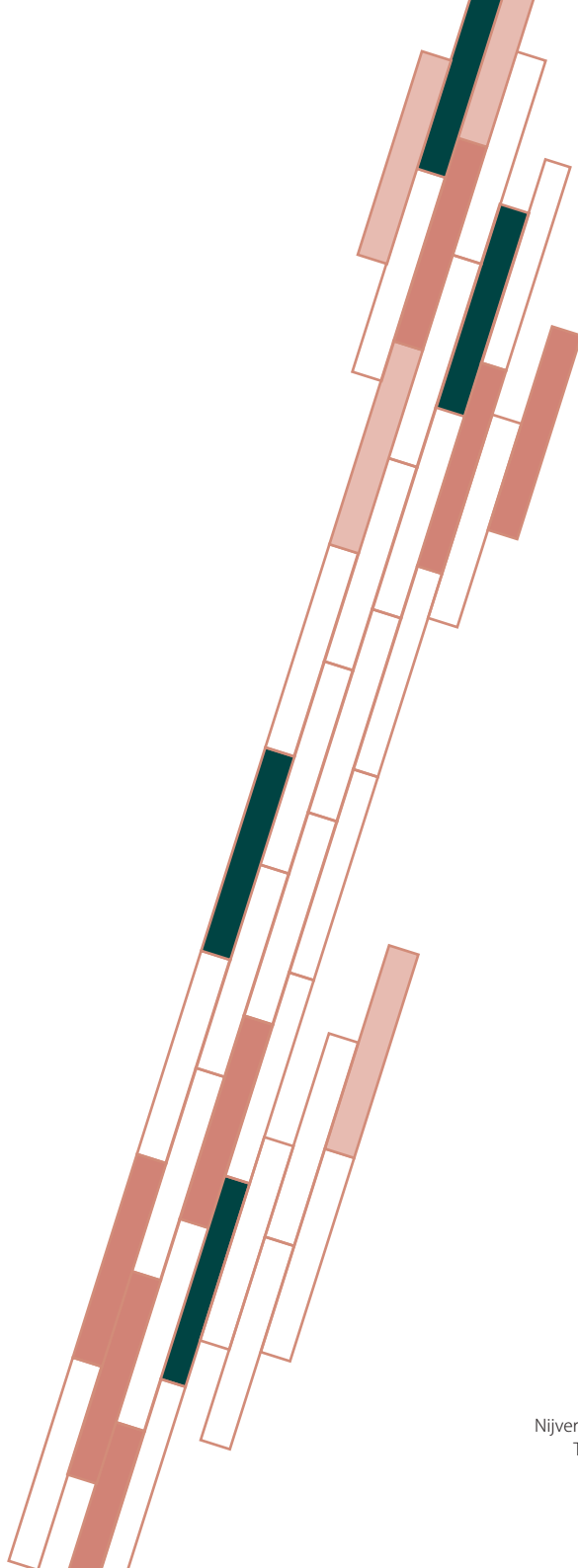
CE	22	EN14041:2004/AC:2006	Reaction to fire	PCP	Formaldehyde emission	Slip resistance
			Bfl-s1	< 5PPM	E1	DS
IVC by - Nijverheidslaan 29 B-8580 Avelgem, Belgium 0032/56/57/5211	Water-tightness	Electrical resistance	Thermal resistance	Antistatic performance		
	NA	NPD	NPD	NPD		
DOP - LVT	ivcgroup.com	LVT Rigid / 4 mm / 0,3 mm for indoor use according to EN ISO 16511				

CE	22	EN14041:2004/AC:2006	Reaction to fire	PCP	Formaldehyde emission	Slip resistance
			Bfl-s1	< 5PPM	E1	DS
IVC by - Nijverheidslaan 29 B-8580 Avelgem, Belgium 0032/56/57/5211	Water-tightness	Electrical resistance	Thermal resistance	Antistatic performance		
	NA	NPD	NPD	NPD		
DOP - LVT	ivcgroup.com	LVT Rigid / 4 + 1 mm / 0,3 mm for indoor use according to EN ISO 16511				

The warranty covers manufacturing defects and premature wear in the event of normal use.







DESIGN | FLOORS
by **ivc**group

Nijverheidslaan 29 | 8580 Avelgem | Belgium
T +32 (0)56 653 211 | info@ivcgroup.com
www.ivcgroup.com
BTW BE 0866.682.231